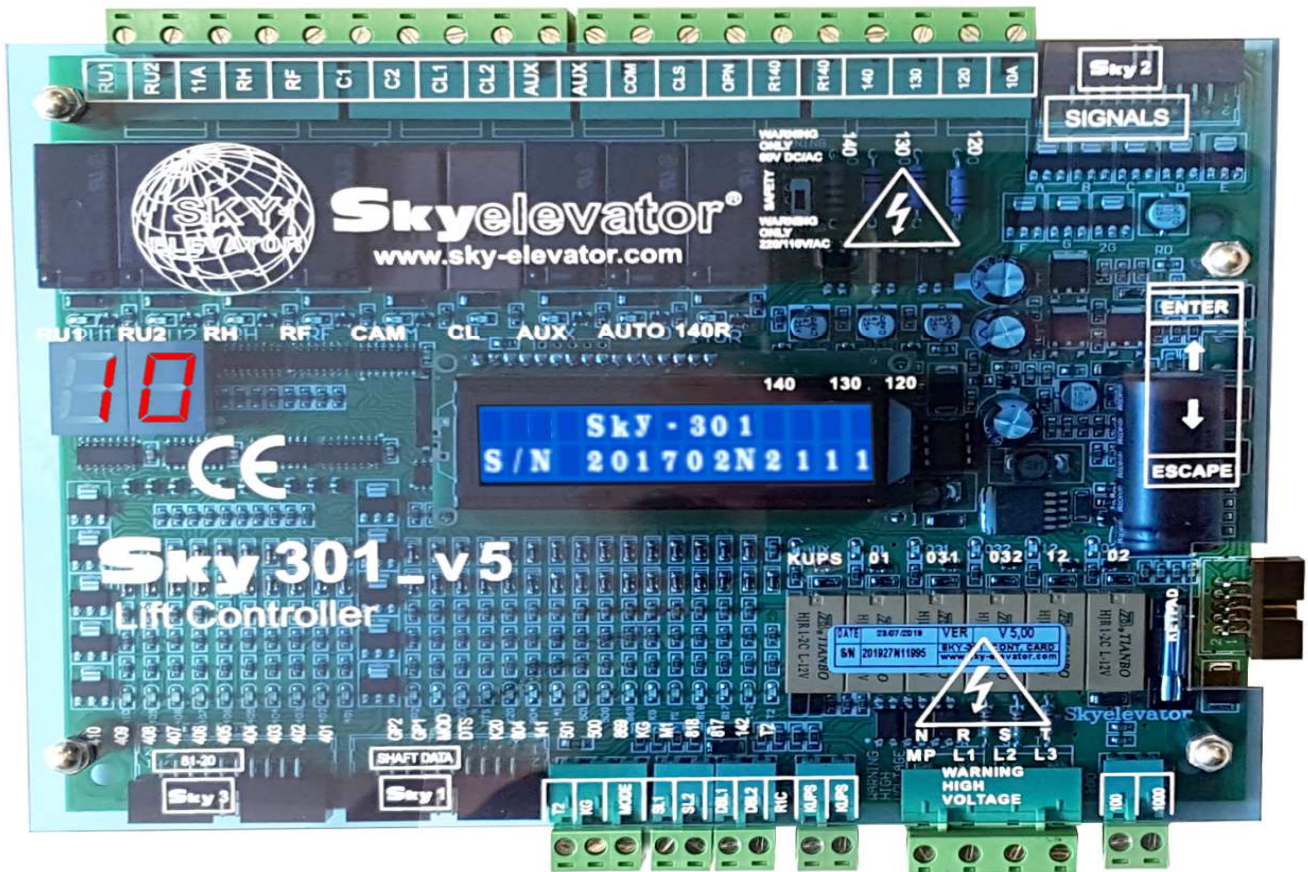




Sky
Elevator
www.sky-elevator.com

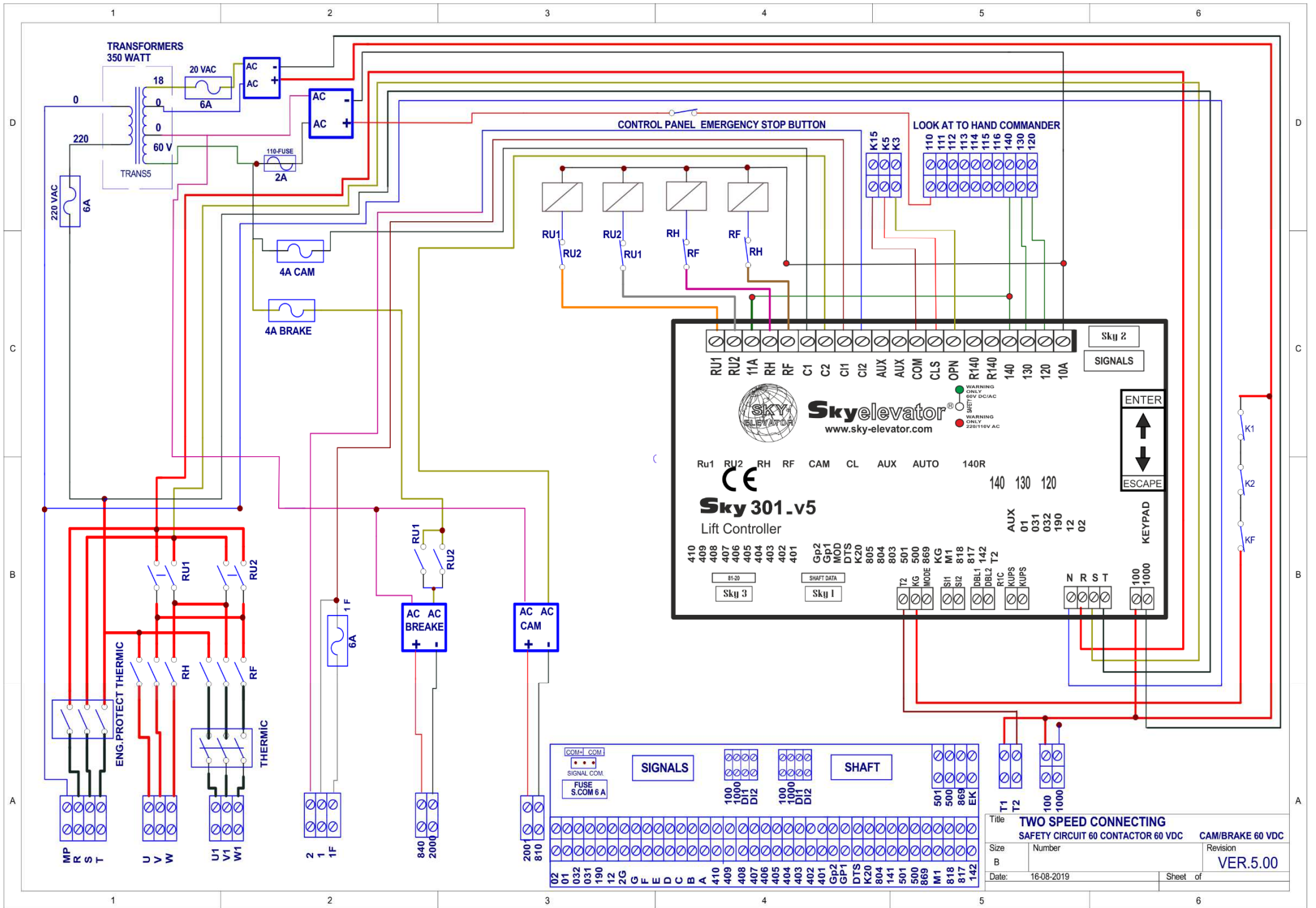
NEW

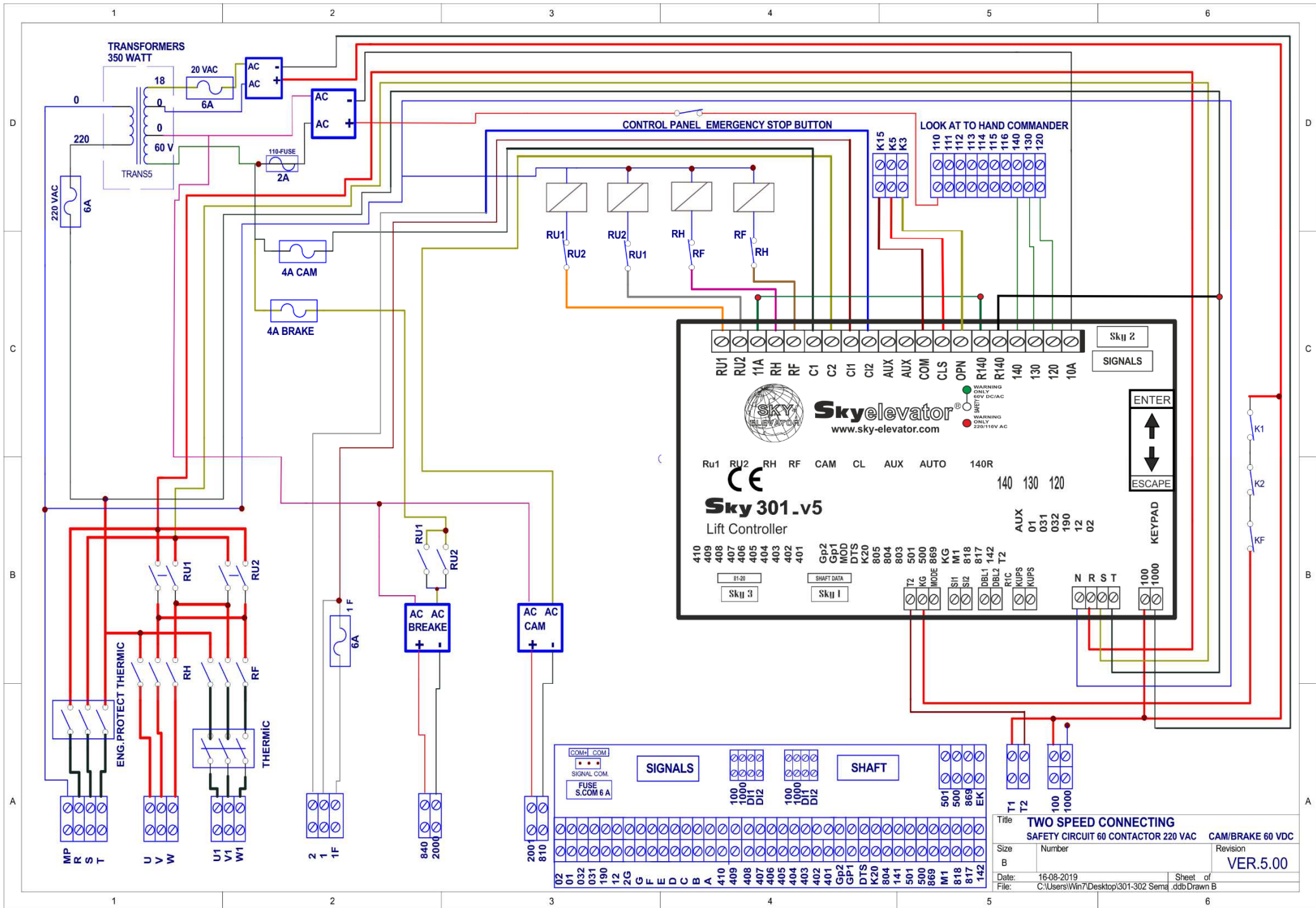


Sky 301-V5

MAIN CONTROL BOARD

TECHNICAL DRAWING



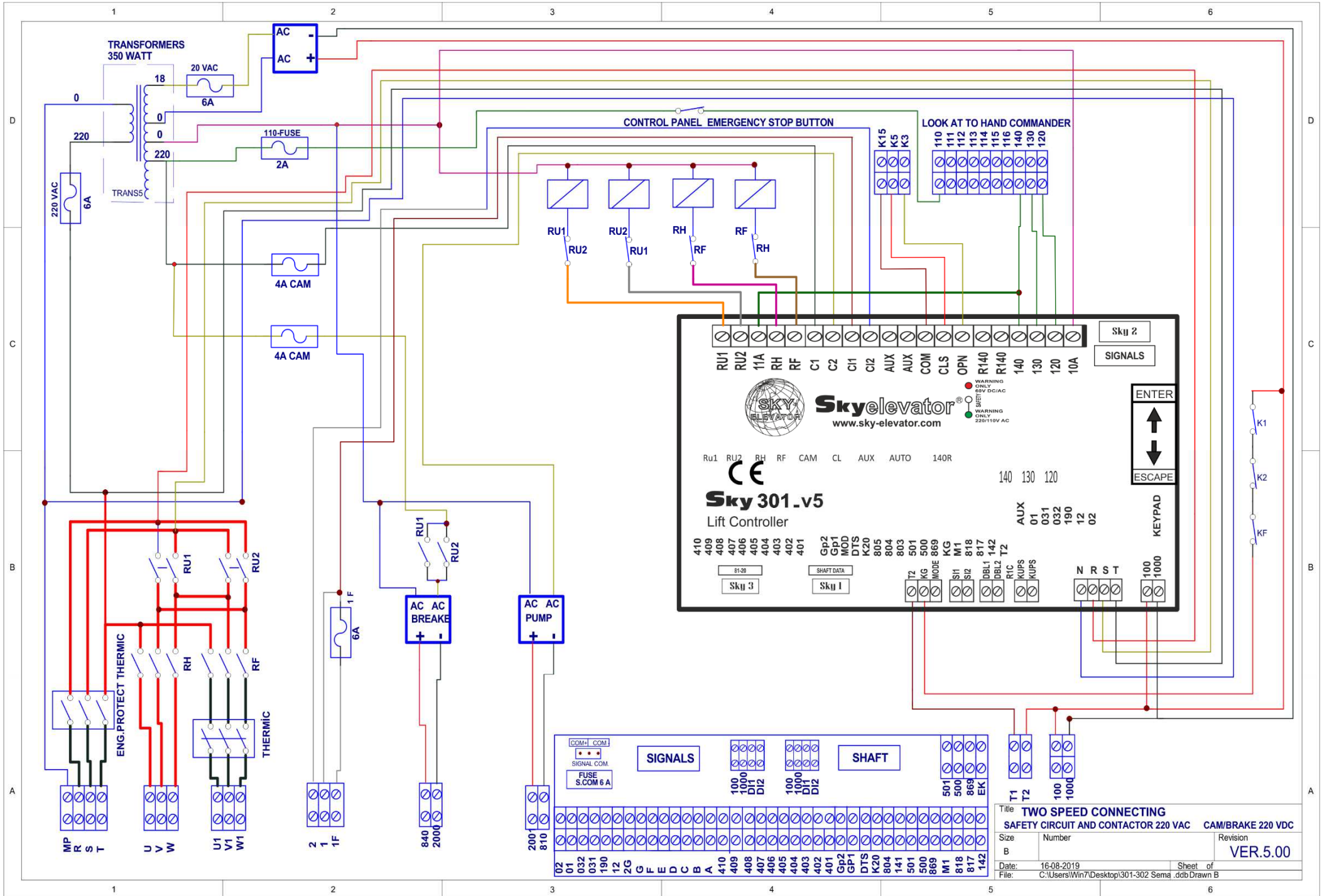


Title: **TWO SPEED CONNECTING**
 SAFETY CIRCUIT 60 CONTACTOR 220 VAC CAM/BRAKE 60 VDC

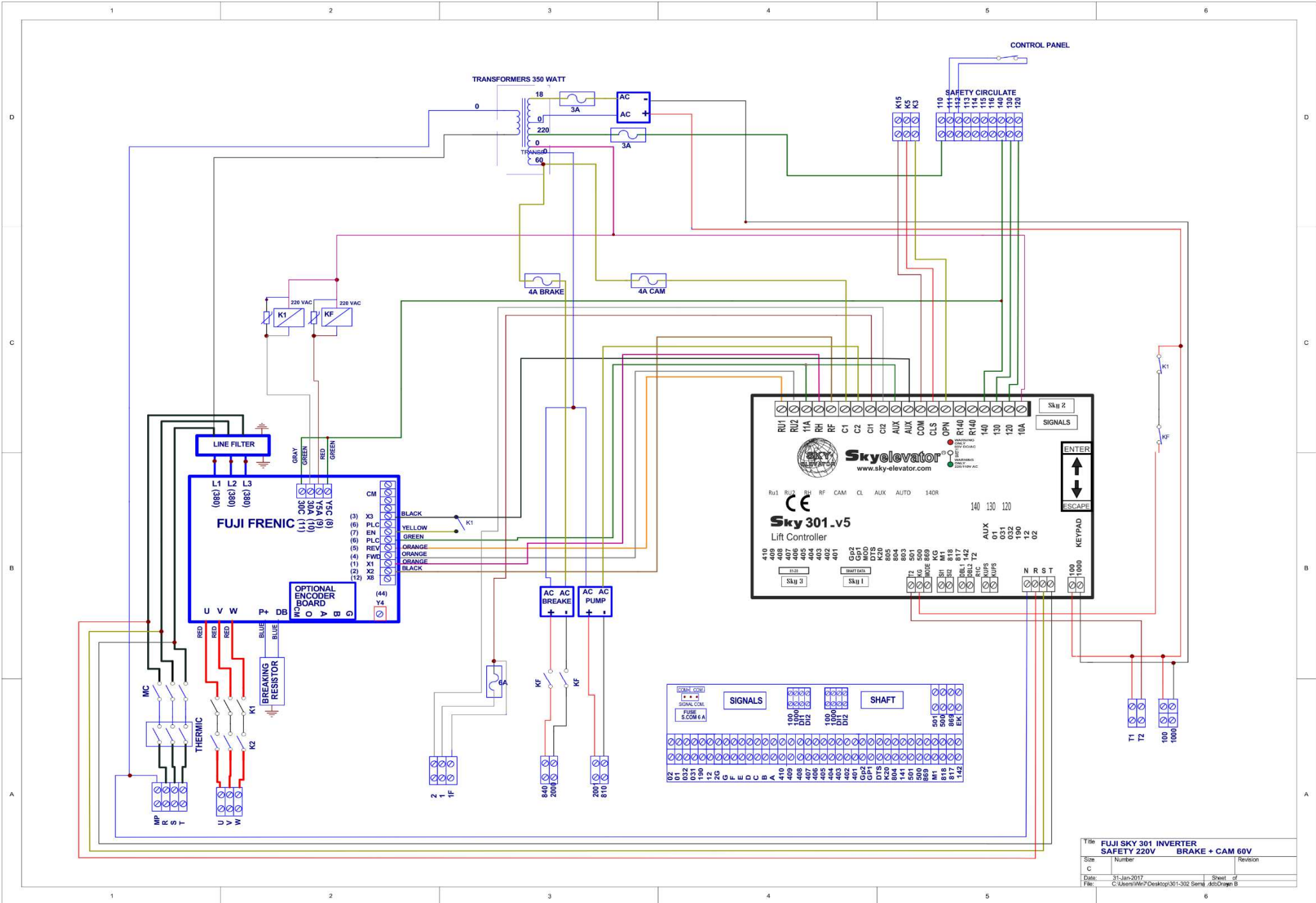
Size: _____ Number: _____ Revision: _____

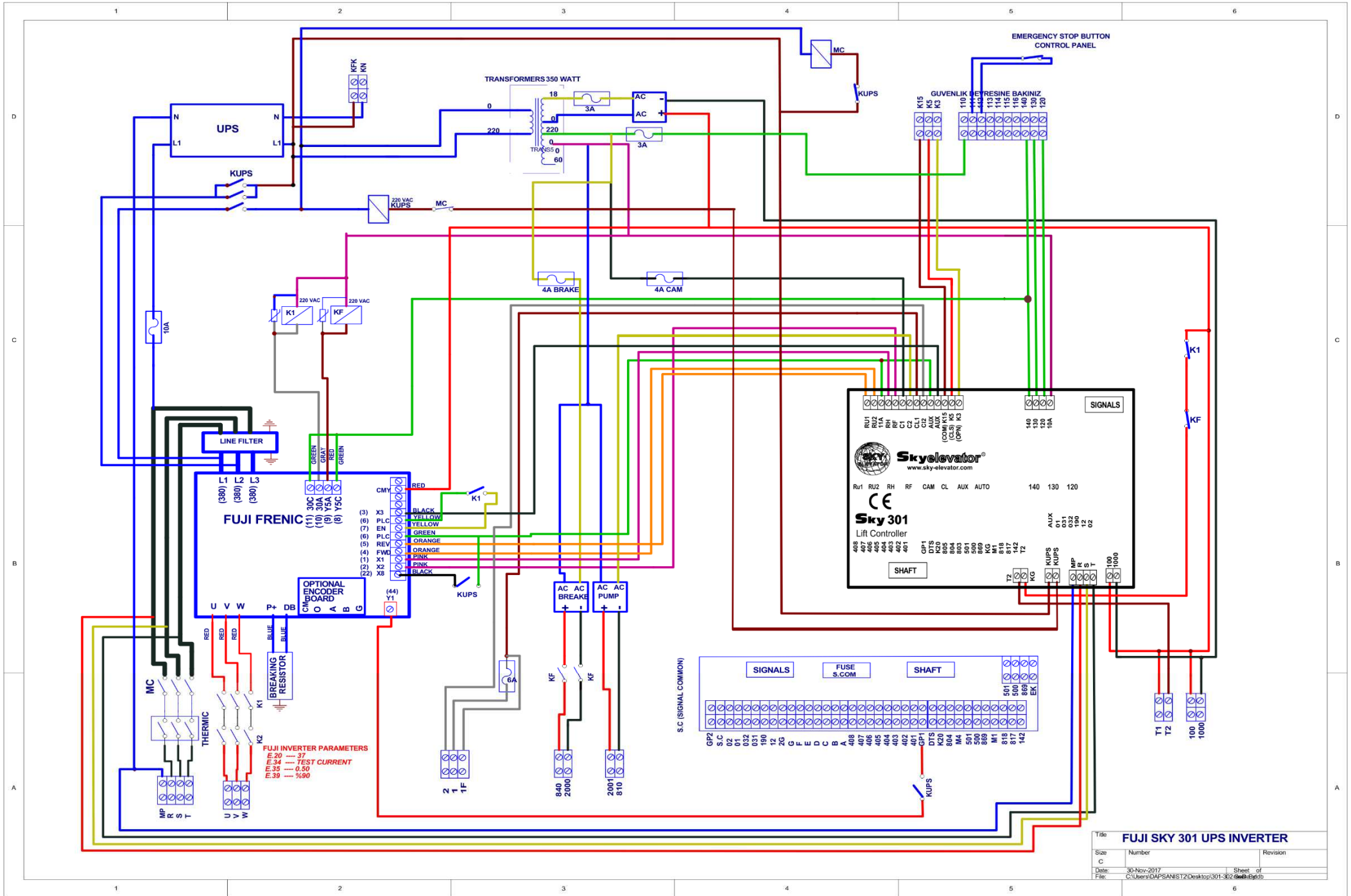
VER.5.00

Date: 16-08-2019 Sheet of _____
 File: C:\Users\Win7\Desktop\301-302 Semj ddb Drawn B

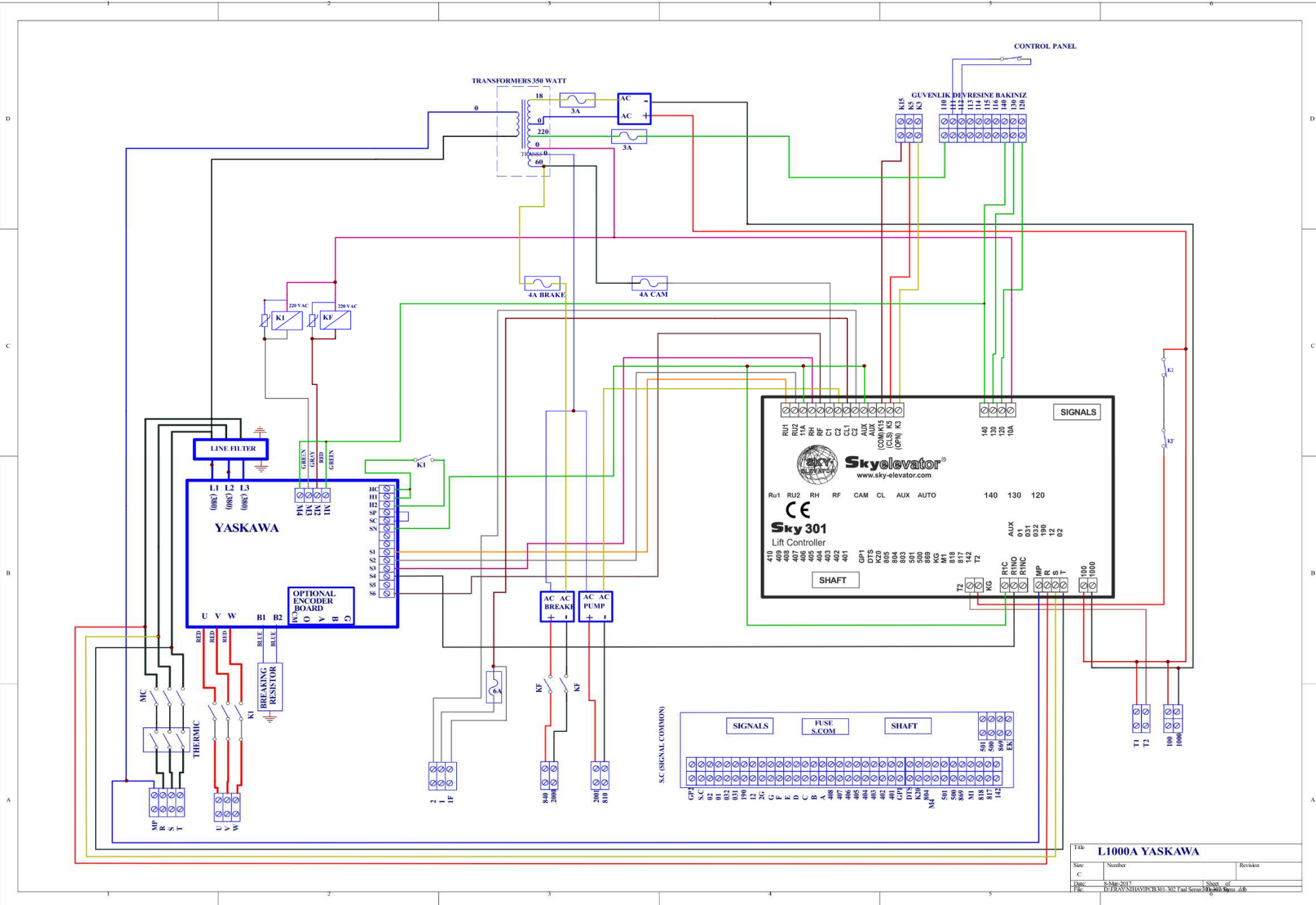


Title **TWO SPEED CONNECTING**
 SAFETY CIRCUIT AND CONTACTOR 220 VAC CAM/BRAKE 220 VDC
 Size Number Revision
 B VER.5.00
 Date: 16-08-2019 Sheet of
 File: C:\Users\Win7\Desktop\301-302 Sema .ddb Drawn B





Title FUJI SKY 301 UPS INVERTER		
Size	Number	Revision
C		
Date:	30-Nov-2017	Sheet of
File:	C:\Users\DAPSAN\12\Desktop\301-302	cad.dwg



CONTROL PANEL

TRANSFORMERS 350 WATT

GUVENLİK DEVRRESINE BAKINIZ

YASKAWA

Skyelevator®
www.sky-elevator.com

CE

Sky 301
Lift Controller

SHAFT

410 409 408 407 406 405 404 403 402 401 GP1 DTS K20 K25 805 803 501 500 500 803 802 801 818 817 816 T2 T2

Ru1 Ru2 RH RF CAM CL AUX AUTO 140 130 120

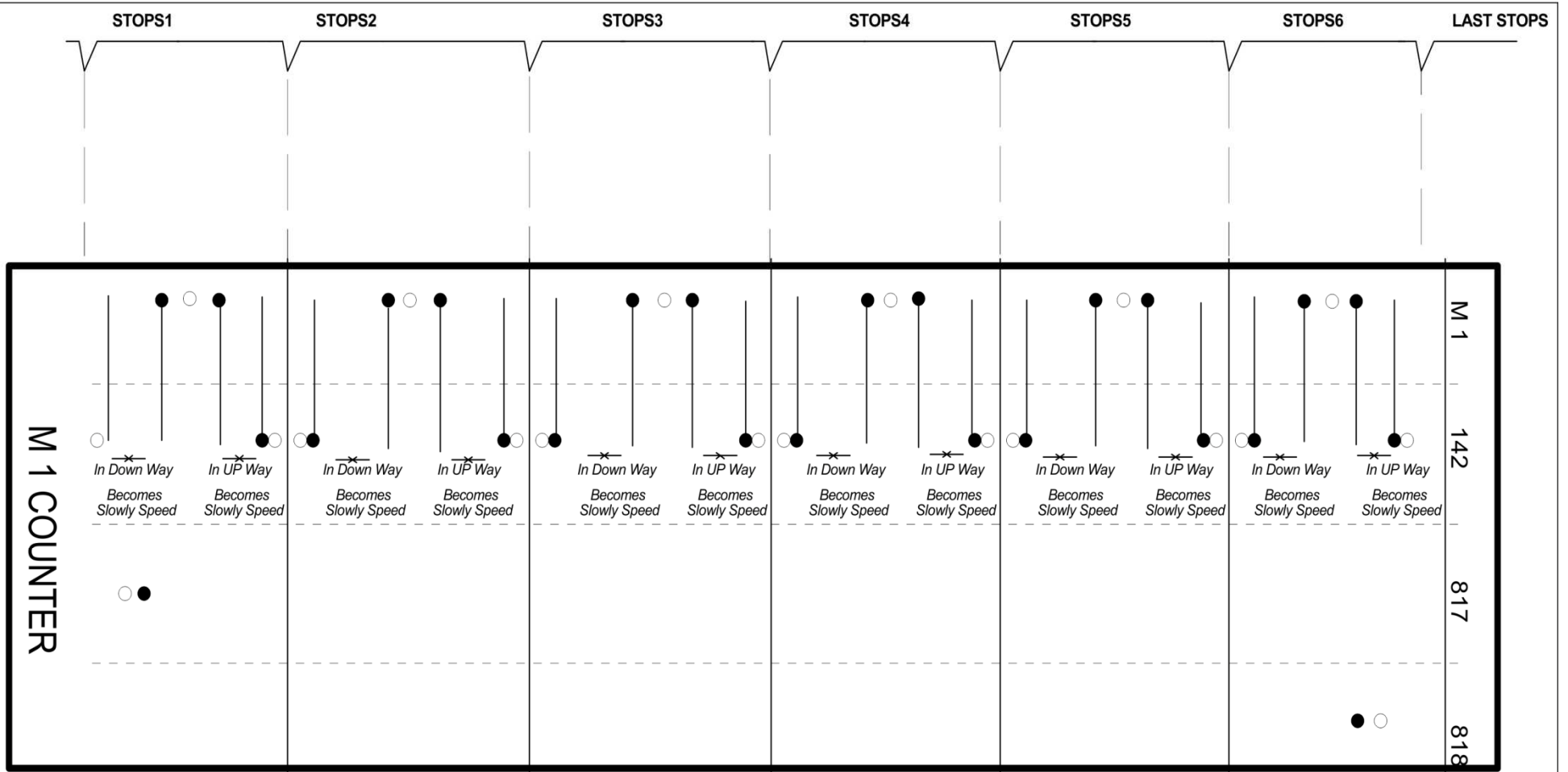
410 409 408 407 406 405 404 403 402 401 GP1 DTS K20 K25 805 803 501 500 500 803 802 801 818 817 816 T2 T2

RIC RINO RINC MP PR S T 100 1000

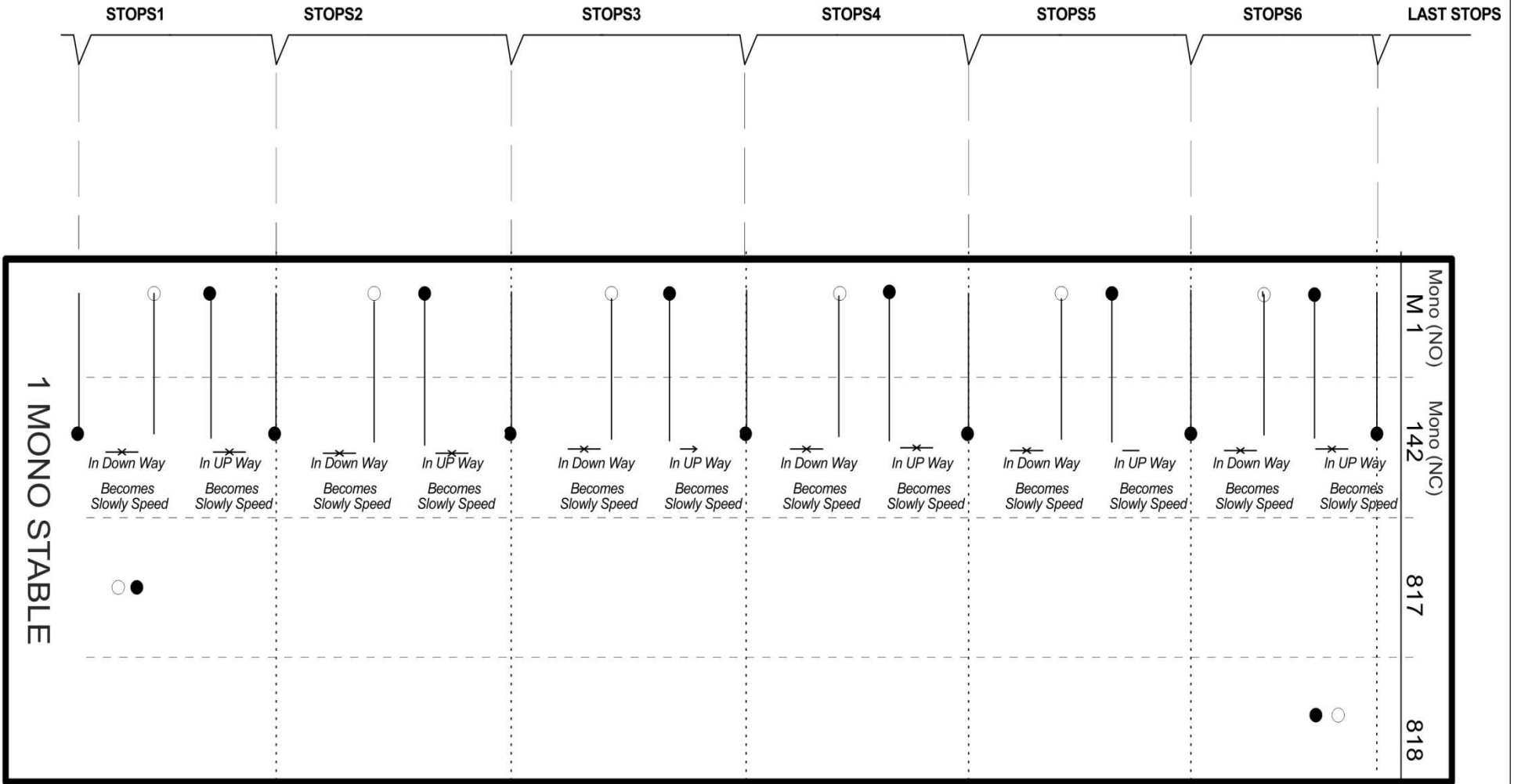
S.C (SIGNAL COMMON)

GP1	S.C	01	02	03	04	05	06	07	08	09	10	11	12	13	14	15	16	17	18	19	20	21	22	23	24	25	26	27	28	29	30	31	32	33	34	35	36	37	38	39	40	41	42	43	44	45	46	47	48	49	50	51	52	53	54	55	56	57	58	59	60	61	62	63	64	65	66	67	68	69	70	71	72	73	74	75	76	77	78	79	80	81	82	83	84	85	86	87	88	89	90	91	92	93	94	95	96	97	98	99	100
-----	-----	----	----	----	----	----	----	----	----	----	----	----	----	----	----	----	----	----	----	----	----	----	----	----	----	----	----	----	----	----	----	----	----	----	----	----	----	----	----	----	----	----	----	----	----	----	----	----	----	----	----	----	----	----	----	----	----	----	----	----	----	----	----	----	----	----	----	----	----	----	----	----	----	----	----	----	----	----	----	----	----	----	----	----	----	----	----	----	----	----	----	----	----	----	----	----	----	----	----	----	-----

○ BISTABLE MAGNET OPEN
 ● BISTABLE MAGNET CLOSE



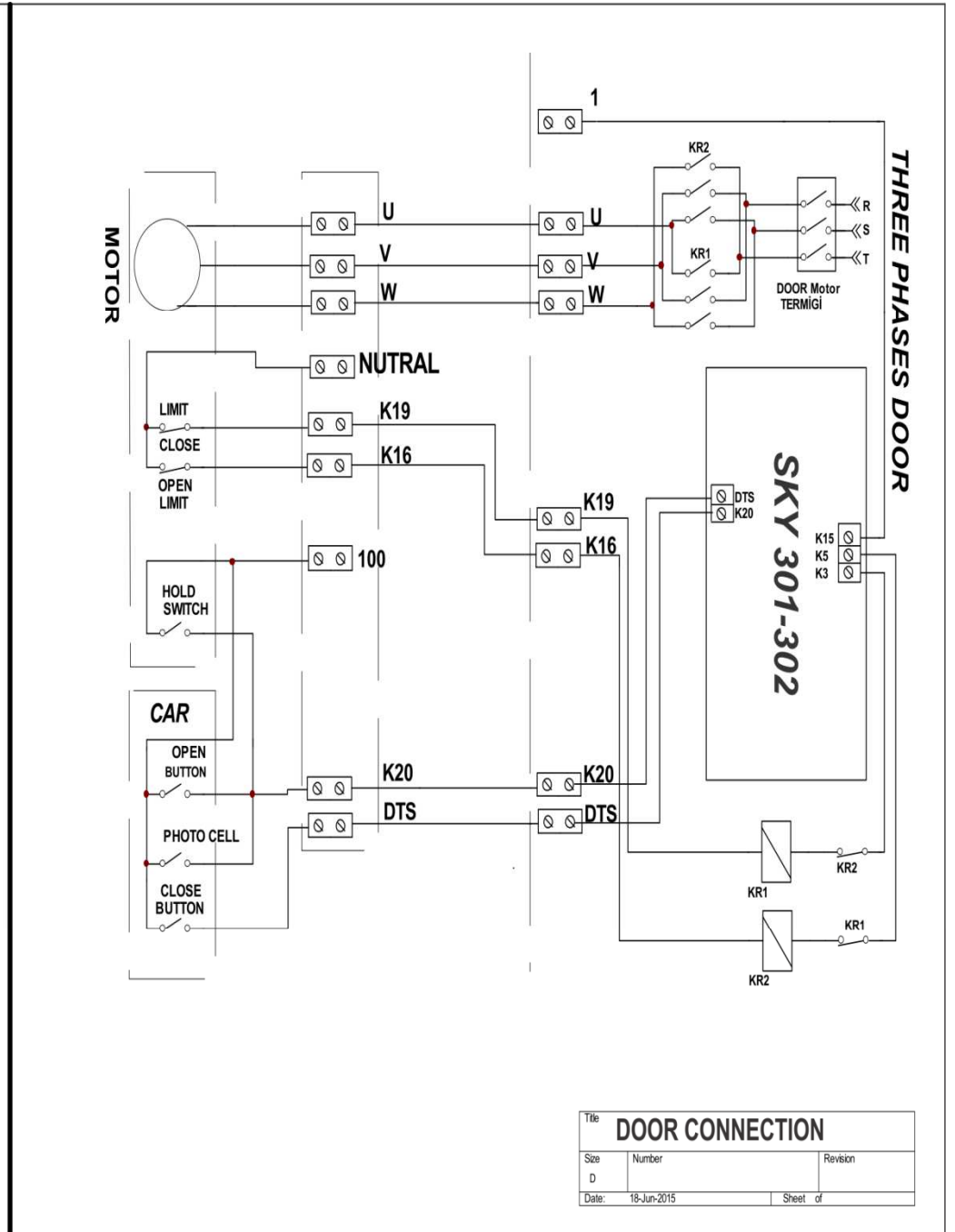
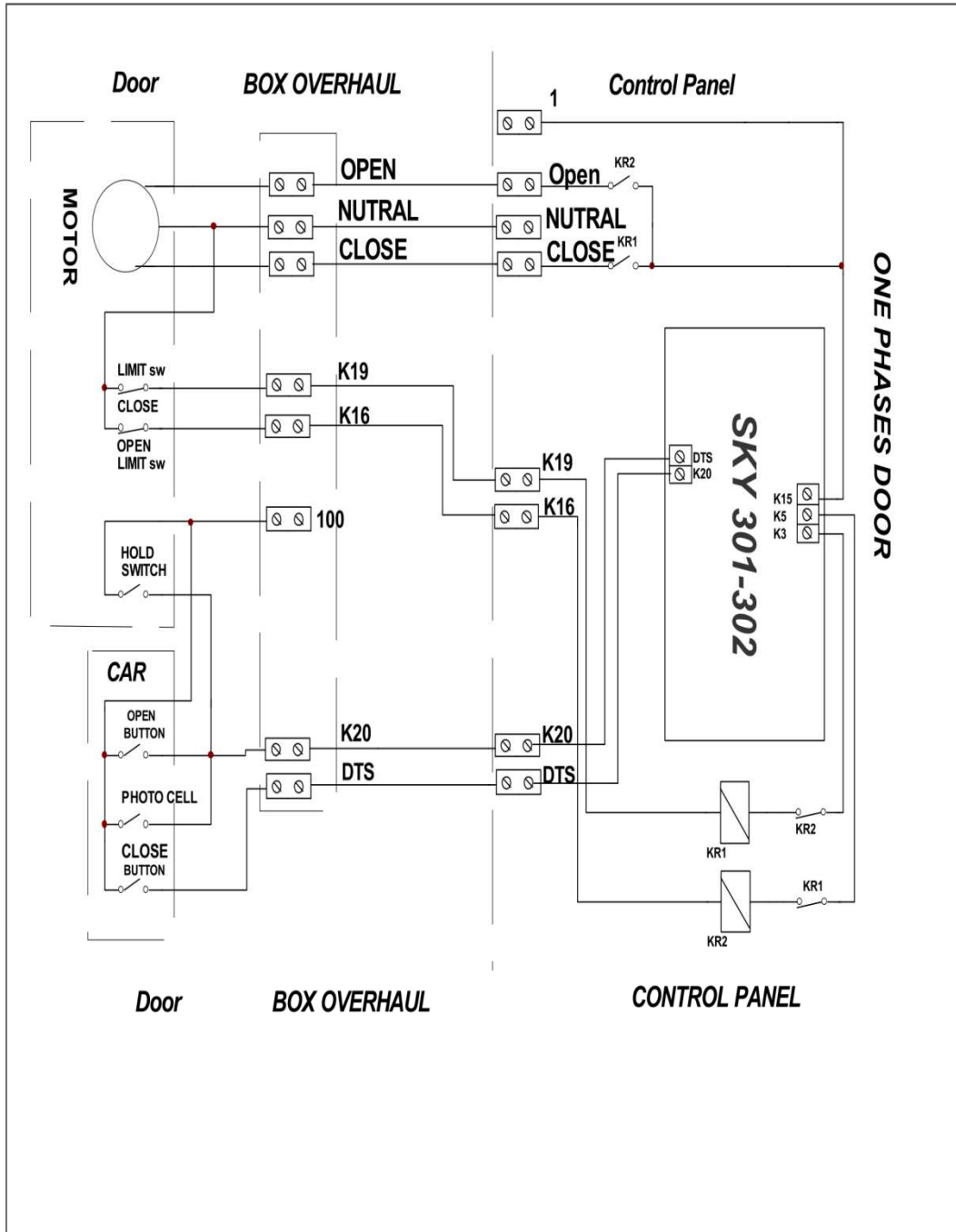
Title		
MAGNETS SHAPE M1		
Size	Number	Revision
B		
Date:	18-Jun-2015	Sheet of



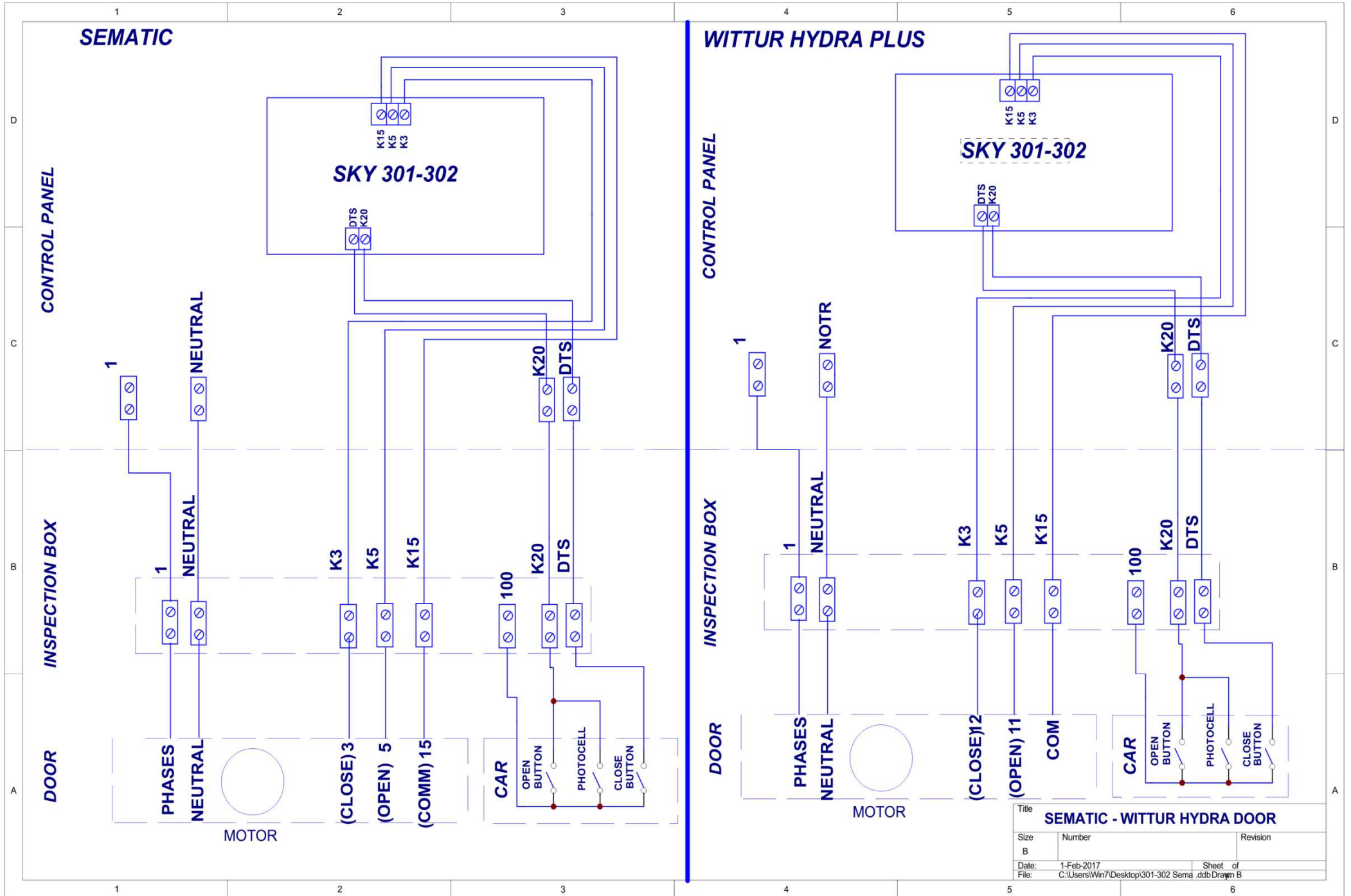
BISTABLE MAGNET OPEN
 BISTABLE MAGNET CLOSE

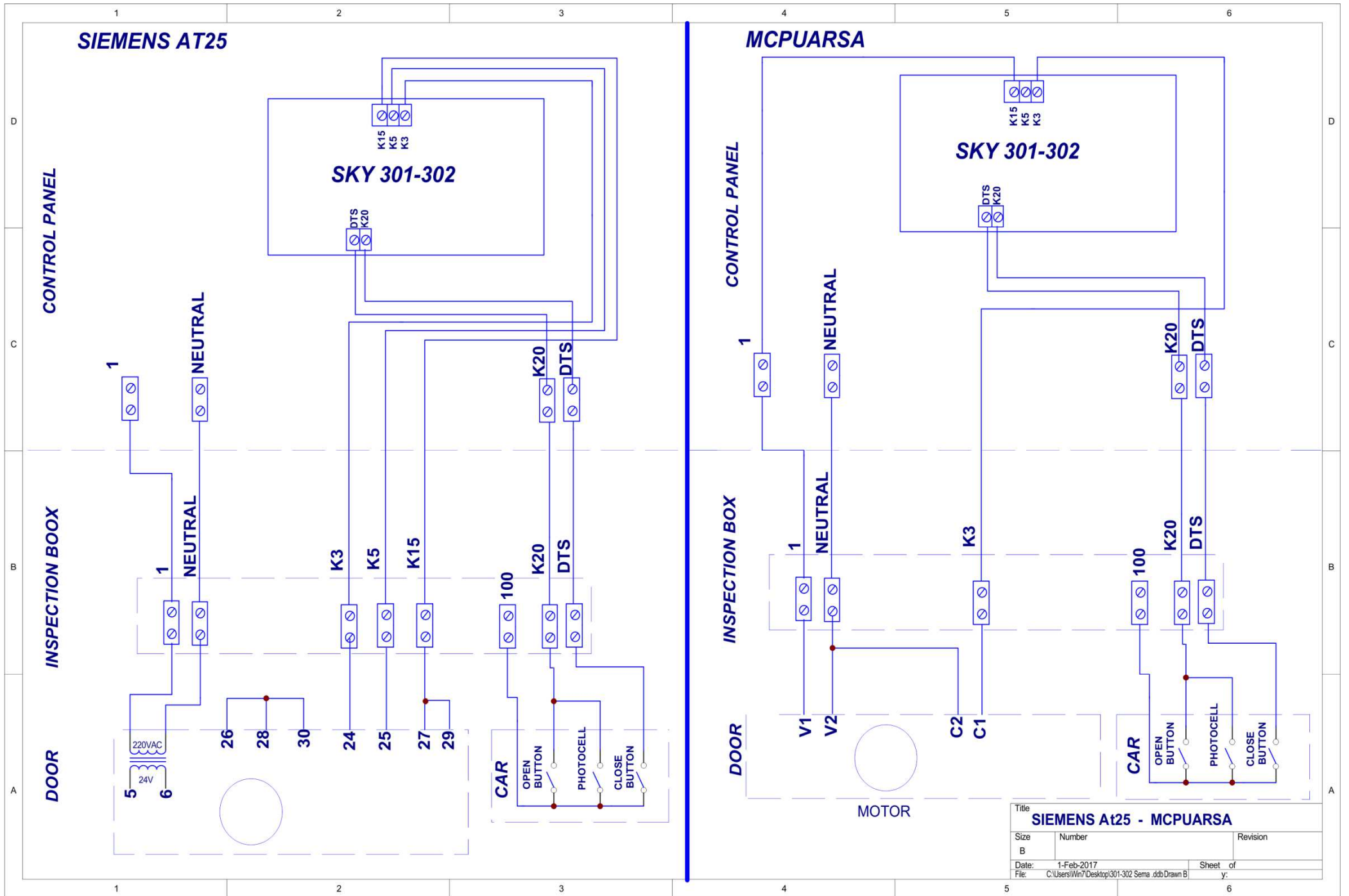
YOU SHOULD USE:
 1- 1 MONOSTABLE (NO) AND CONNECT IT WITH M1
 2- 1 MONOSTABLE (NC) AND CONNECT IT WITH 142
 3- BISTABLE MAGNET FOR 817 - 818 LINE

Title		
1 Monostable Magnet		
Size	Number	Revision
B		
Date:	18-Jun-2015	Sheet of

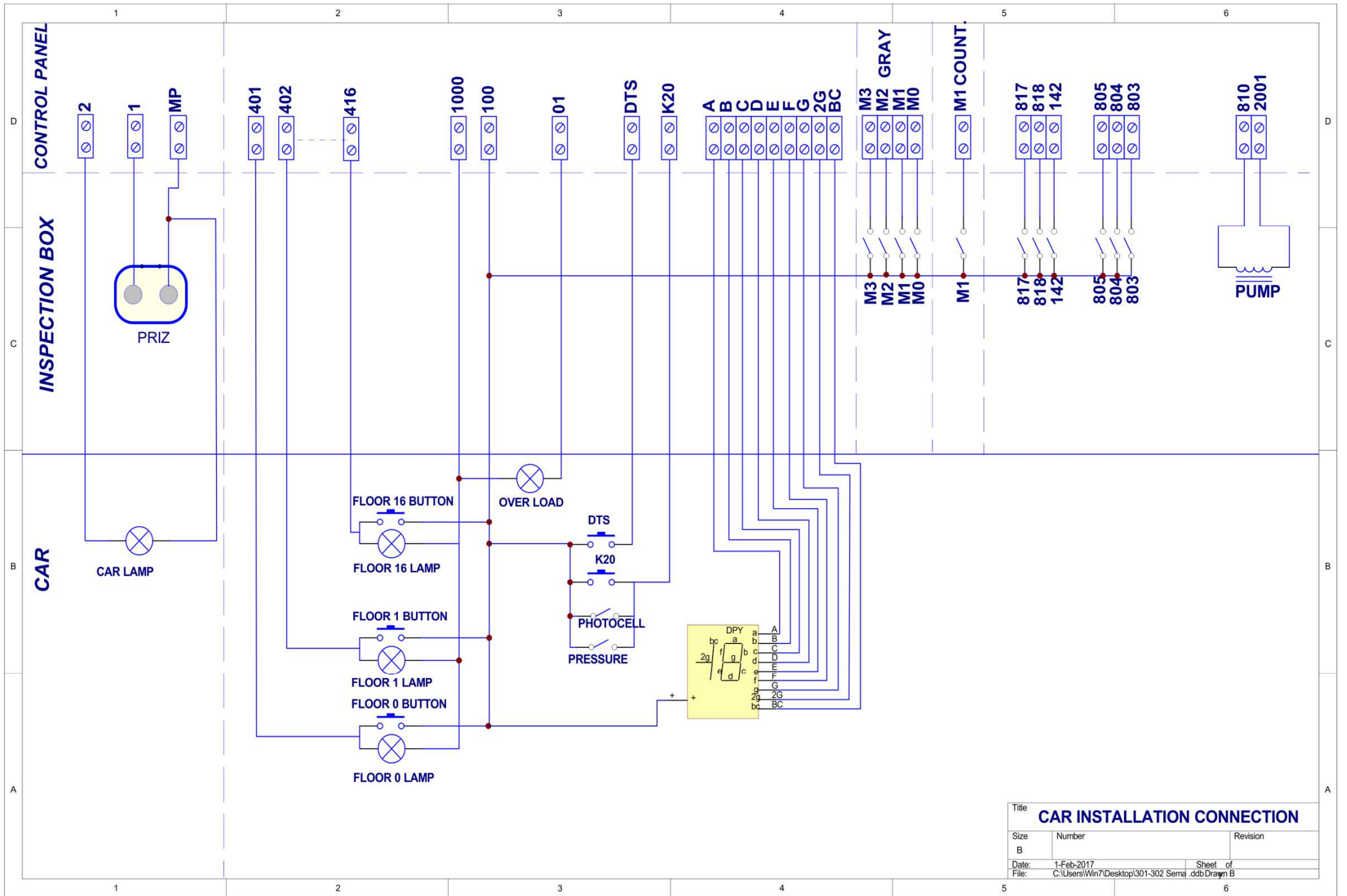


Title		
DOOR CONNECTION		
Size	Number	Revision
D		
Date:	18-Jun-2015	Sheet of

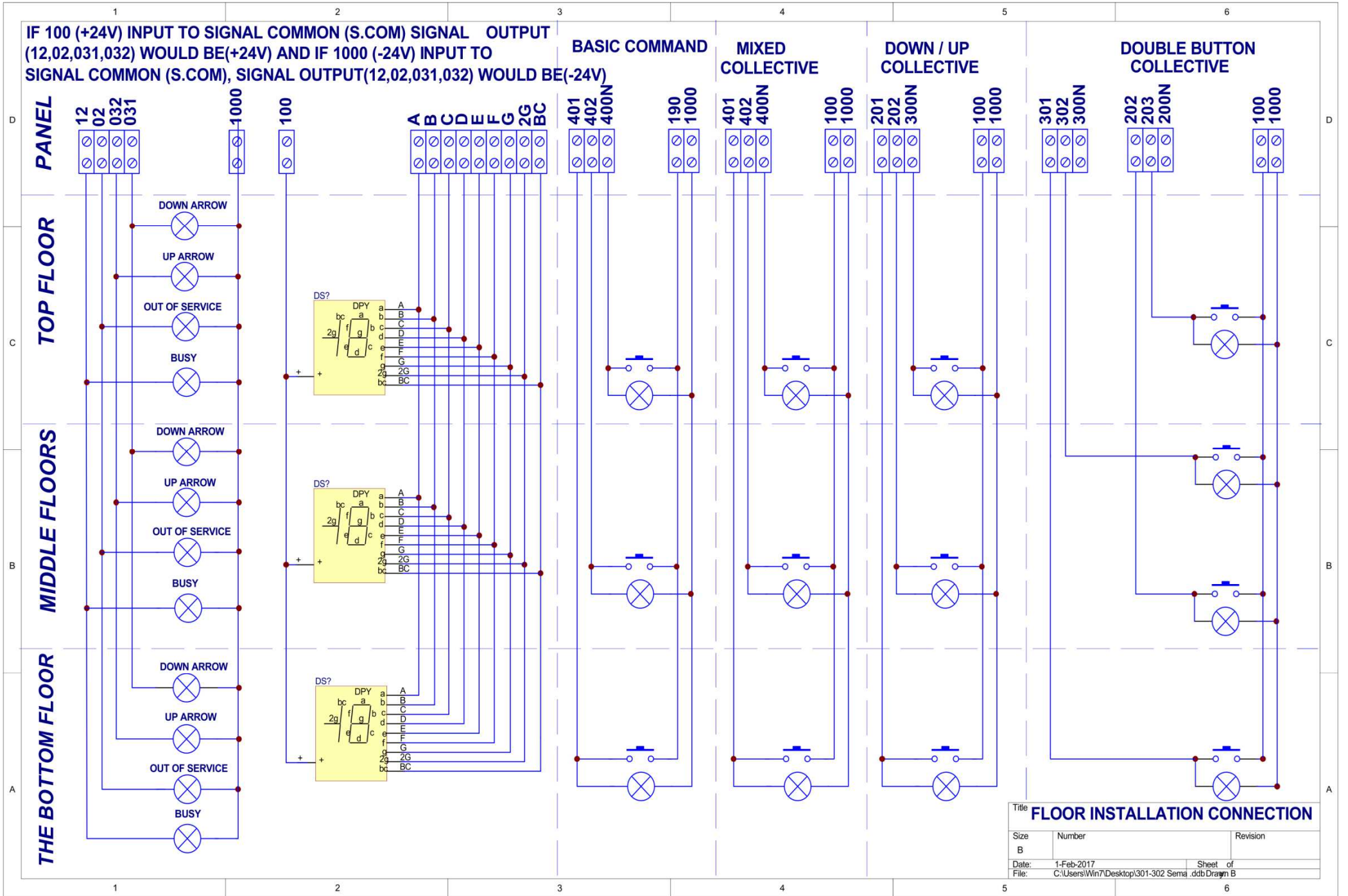




Title			SIEMENS A125 - MCPUARSA		
Size	Number	Revision			
B					
Date:	1-Feb-2017	Sheet	of		
File:	C:\Users\Win7\Desktop\301-302 Sema.ddb Drawn B	y:			

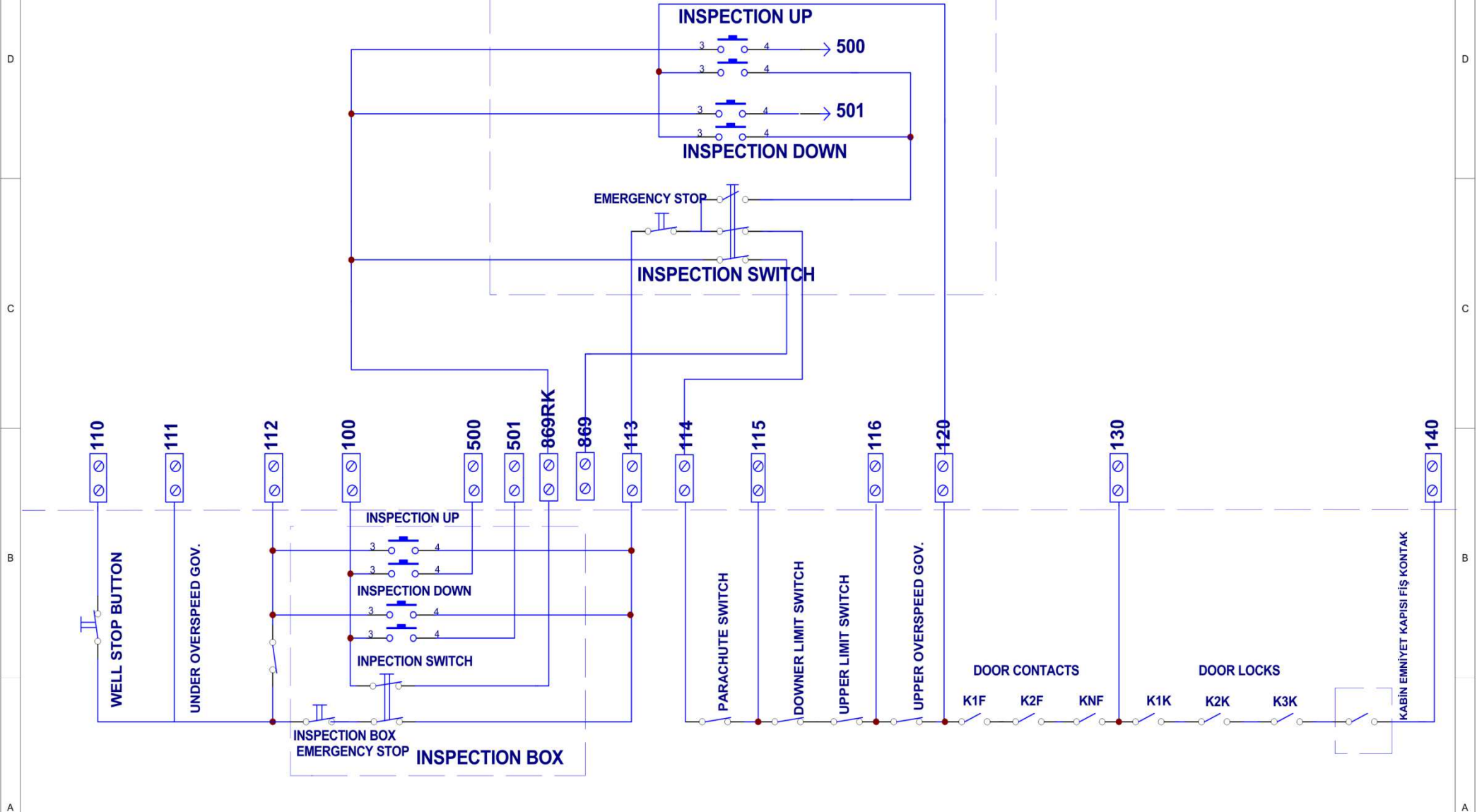


Title		
CAR INSTALLATION CONNECTION		
Size	Number	Revision
B		
Date:	1-Feb-2017	Sheet of
File:	C:\Users\Win7\Desktop\301-302 Sema.ddb Drawn B	



Title FLOOR INSTALLATION CONNECTION		
Size B	Number	Revision
Date: 1-Feb-2017	Sheet of	
File: C:\Users\Win7\Desktop\301-302 Sema .ddb Drawn B		

EMERGENCY ELECTRICAL OPERATOR SWITCH



Title		
SECURITY CIRCUIT CONNECTION		
Size	Number	Revision
B		
Date:	1-Feb-2017	Sheet of
File:	C:\Users\Win7\Desktop\301-302 Sema .ddb Drawn B	



Sky Elevator®
Manufacturing Spare Parts For Elevators



DIN EN ISO
9001:2015
CE

GLOBAL BRAND



YOU'RE SAFE WITH US

CHOOSE THE QUALITY ALWAYS RISING

www.sky-elevator.com